



ALGATS ENGINEERING

We deal with Next Generation...

Product Design and Development Services



About us

ALGATS is an Engineering one stop solution provider of product design, development and production with best quality.

Areas of Services:

- Product design solutions
- Modelling and Analysis
- 3D printing & scanning
- Benchmarking & Reverse Engineering
- Software Development
- Production Engineering
- Man power Supporting

Background:

- Established – 2012
- Registration: GST, MSME & TM
- 55 major Clients
- 19 Employees
- 3 Business Centres





Mission



ALGATS strives to provide cost effective and high-quality services to the Customer.



Vision



To delight the customers exceeding their expectations with best quality output



Company Overview

- Engineering services - design and manufacturing
- Design and developing special purpose machines
- Developing consumer centric utility machinery
- Expertise with Mechanical, Automobile, Aeronautical advanced technologies
- Major domains: Industrial, Agro, Food processing, sports, etc.



Major Areas of Service:

1. Concept development and testing in new product development
2. CAD Customization and Design Automation
3. Modelling, Detailing, Mechanisms, Plastics, Sheet Metal, Casting
4. Structural and Thermal Analysis
5. Reverse Engineering
6. Drawing CAD format conversion (2D to 2D, 3D to 2D, 2D to 3D)
7. Geometric dimension and Tolerances



Major Areas of Service:

8. Civil and Electrical design
9. Sheet metal design
10. Corporate training
11. CAD/CAM Manpower supply,
12. Engineering Design & Solutions
13. Jig and Fixtures
14. Fabrication works



Team Expertise

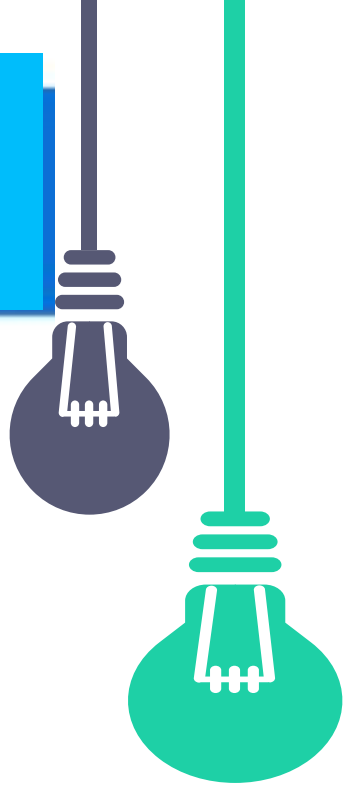


- Automobile Engineering & Agro farm equipment
- Switchgear & Energy Projects
- Plastics and Machinery component design
- Harness and Cable routing projects
- Value Engineering and Product prototype development
- PDM & PLM support
- Valves and Pumps
- Renewable Energy
- Steel detailing and Building Information Module projects
- PLC & Electrical projects



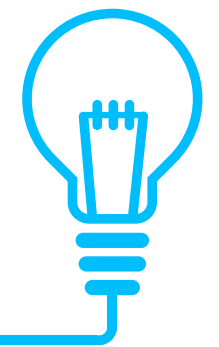
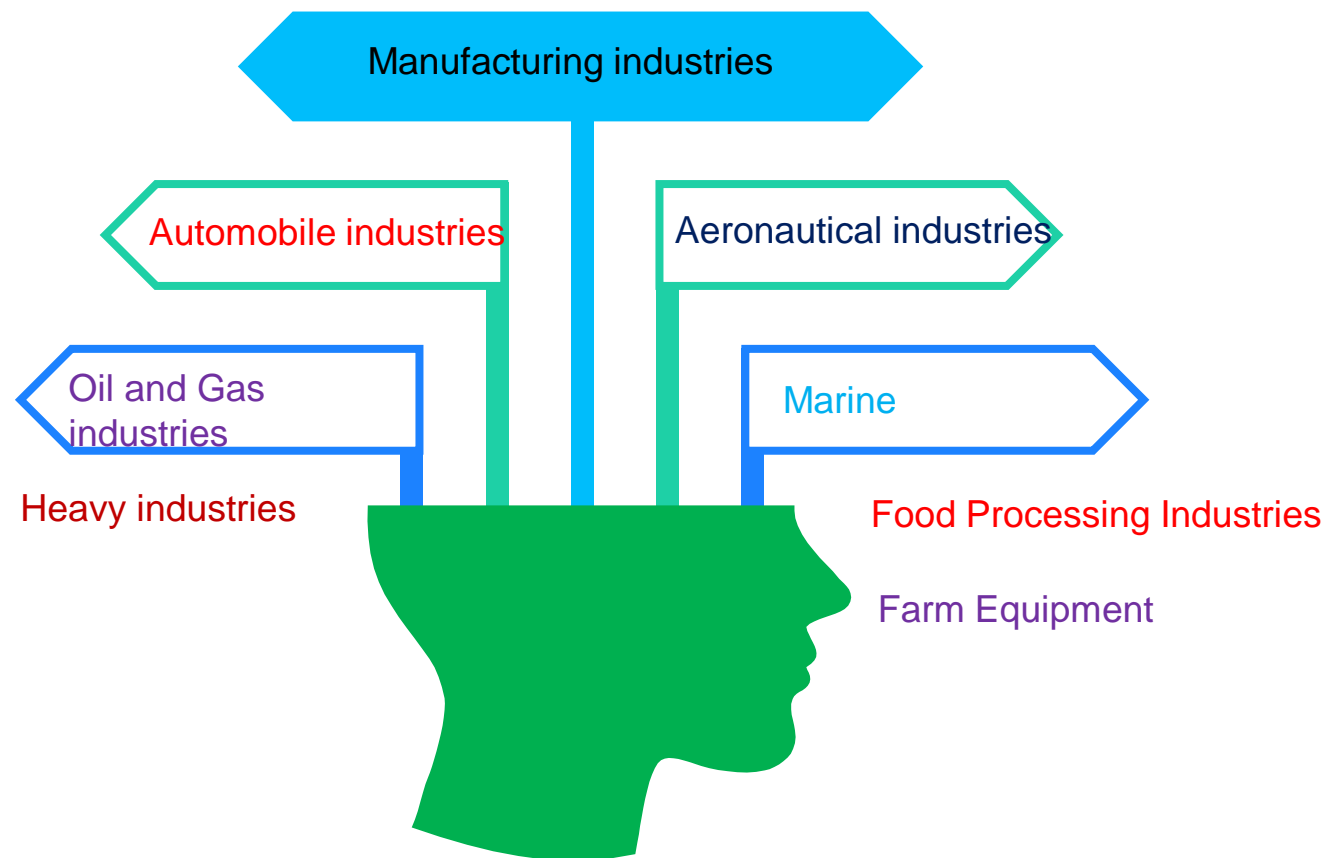
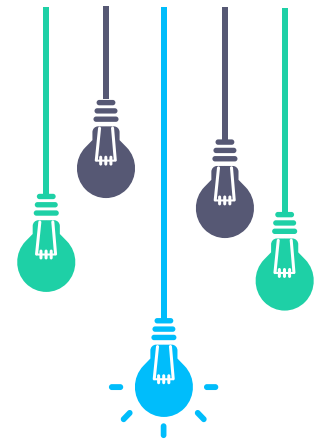
About our Internal processes

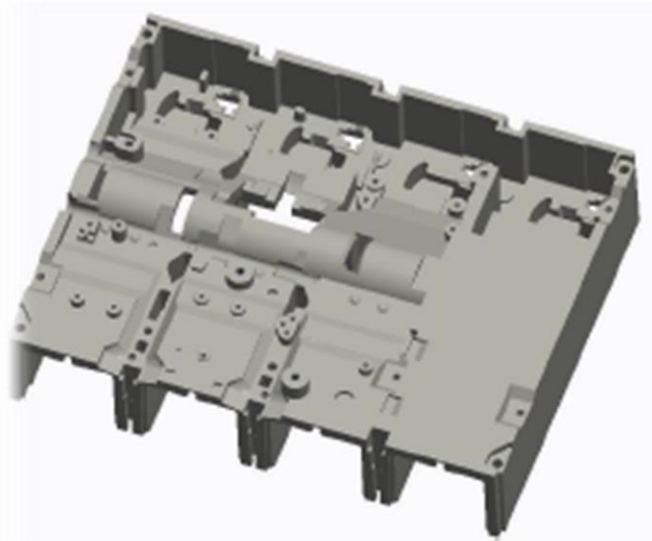
- Guiding 3d-modeling make best practices method
- Industrial standards for Engineering drawing,
- Quality Check by experienced and highly Skilled personnel
- Ensure First time right and Ontime delivery of part files/drawings,
- Candidate scrutiny prior to off shore client support
- Cost, Time and Resources management
- Dedicated and one to one relationship with each and every customer
- Transparent customer protocol & Data confidential management



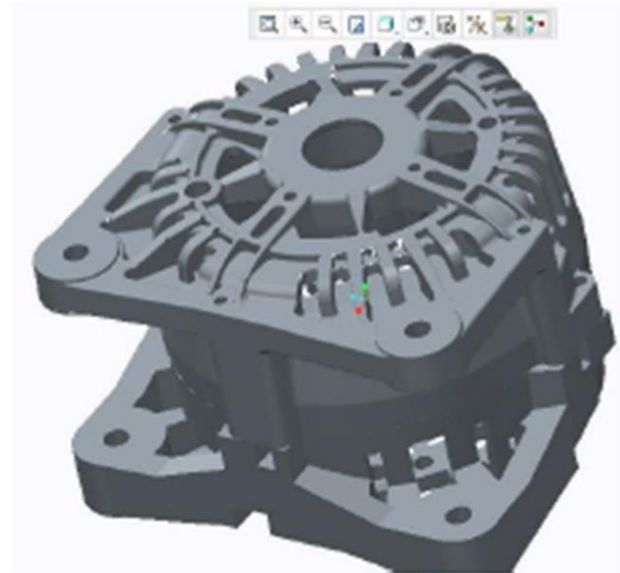
Focused Industries

ALGATS Engineering skills are eligible to get best quality output,





Plastic design



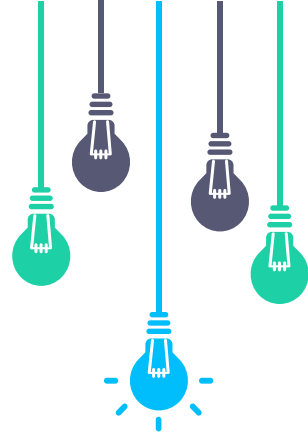
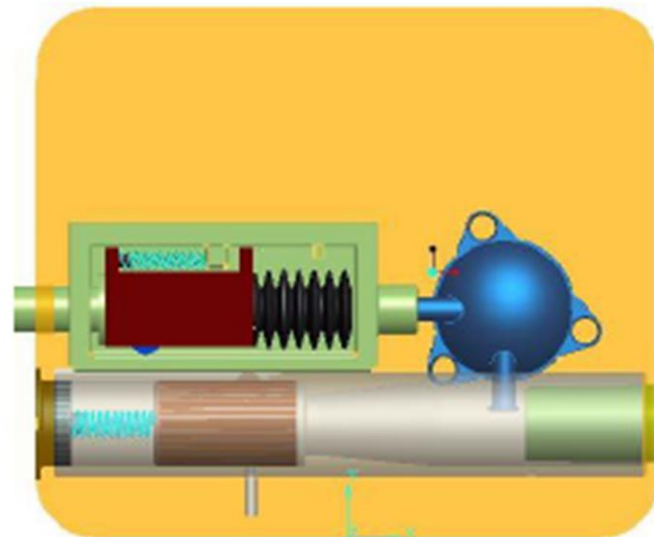
Casting design



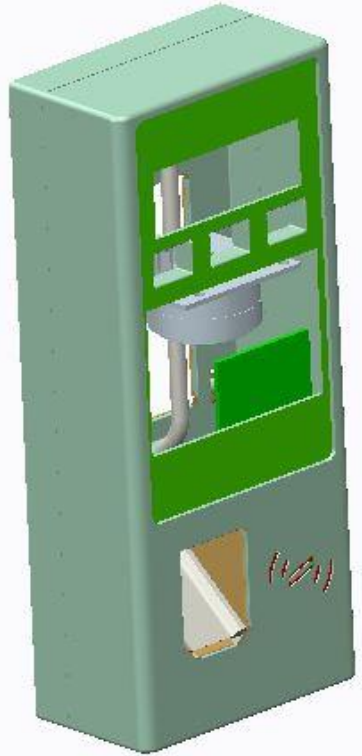
Surface design



Sheet metal and
Mechanism



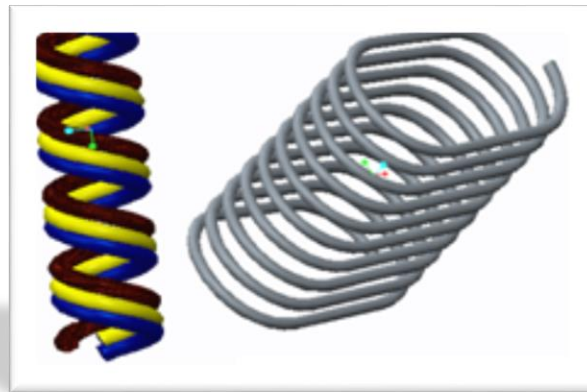
NEW PRODUCT DEVELOPMENT



Biometric Reader



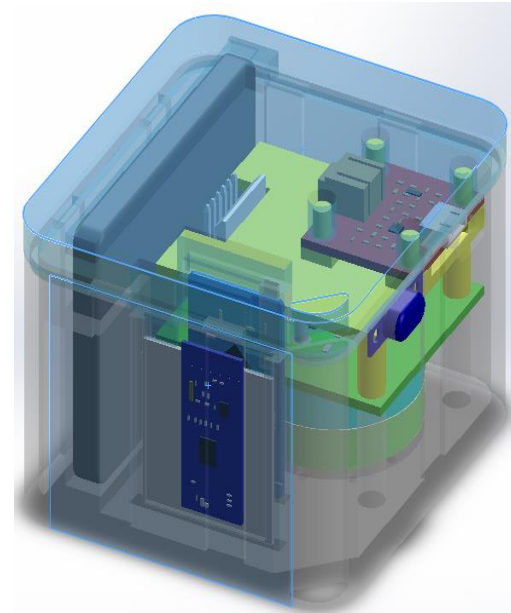
LED Street Light



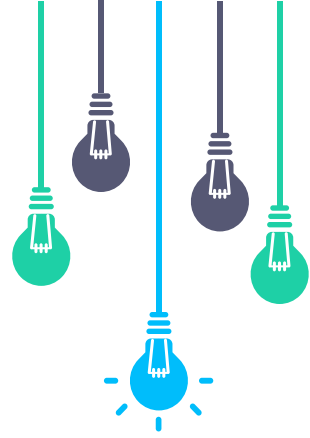
Formula Used



GPS Tracking System



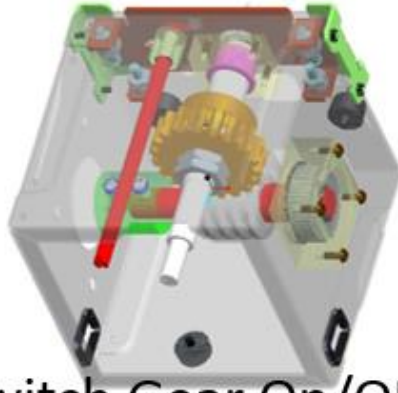
Buzzer System



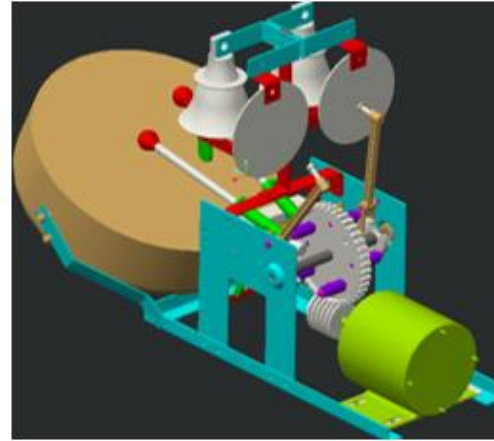
Concept Design



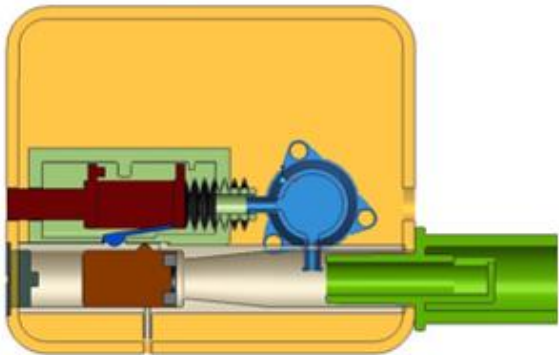
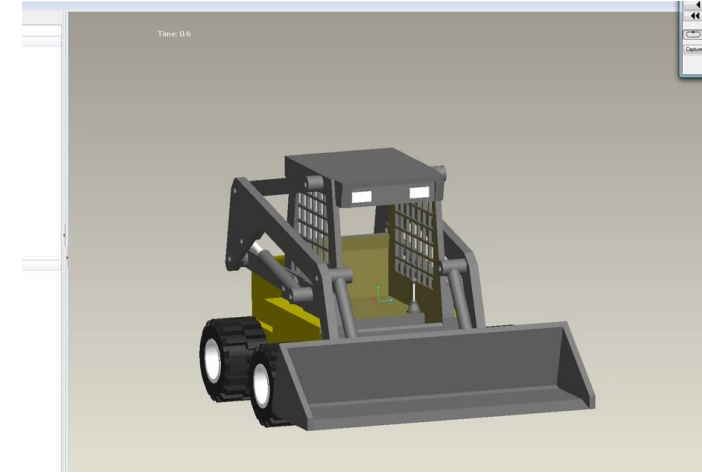
Street light Erection



Switch Gear On/OFF



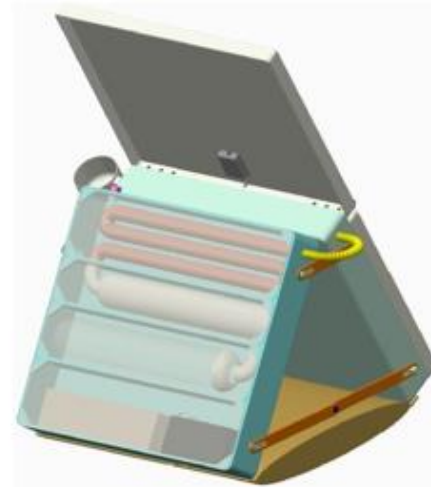
Melathalam Design



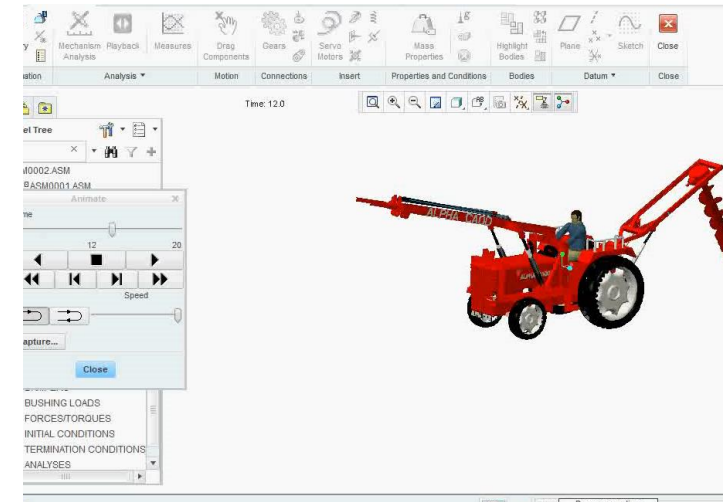
Compact Alcohol Reader



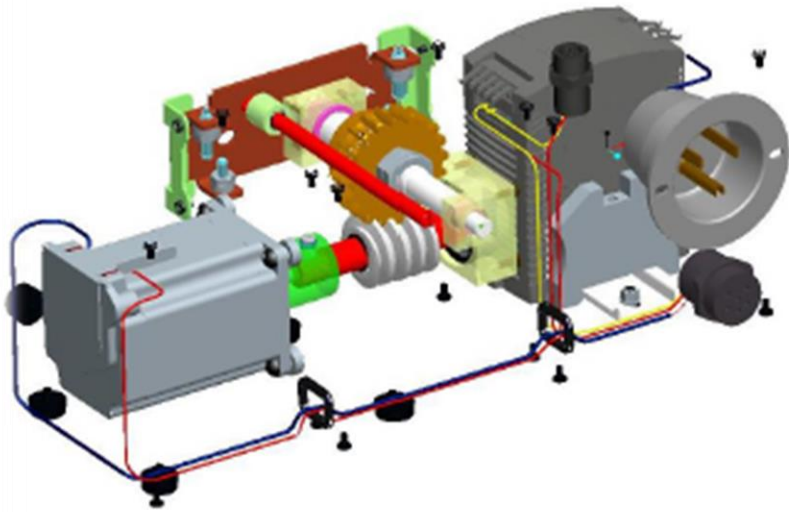
Energy generator



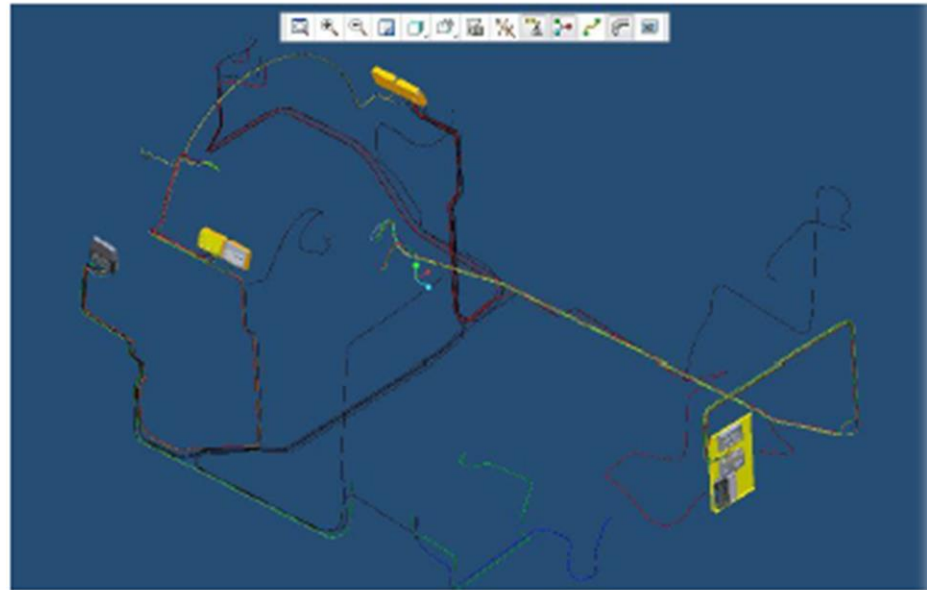
Instant solar water purifier



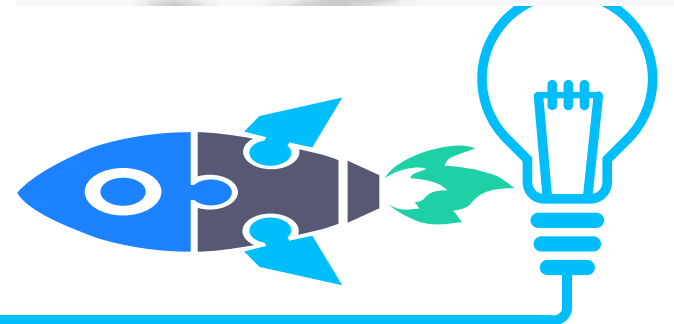
Cabling - Project

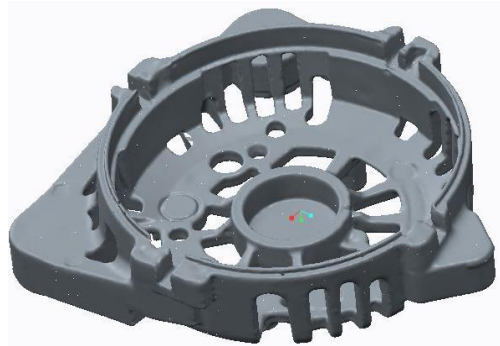


Harness for Remote operating unit

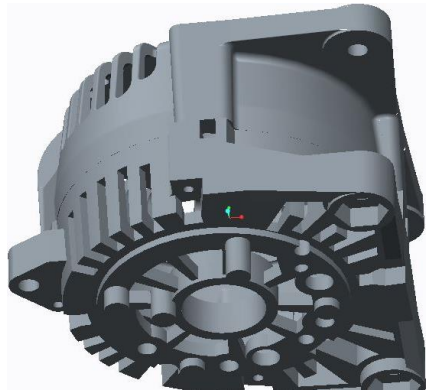


Harness for Gearbox





3D Scanning Part



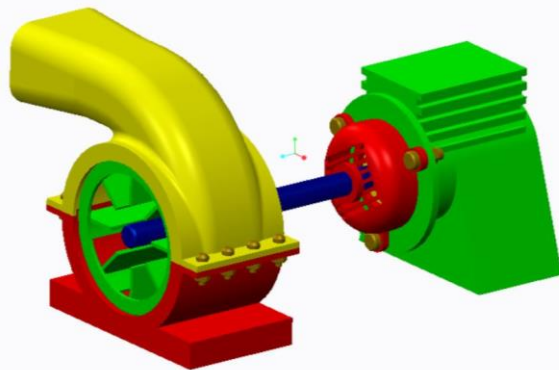
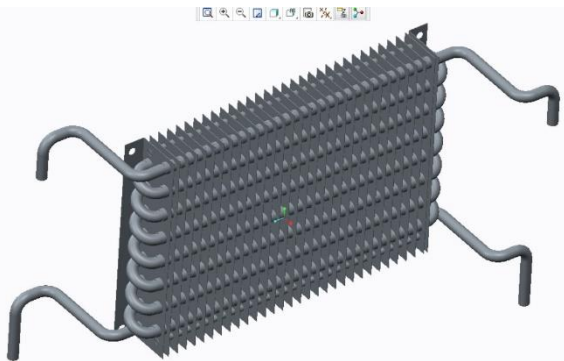
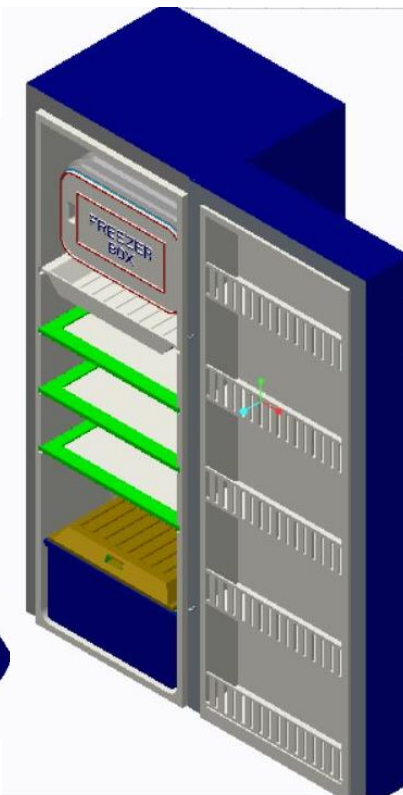
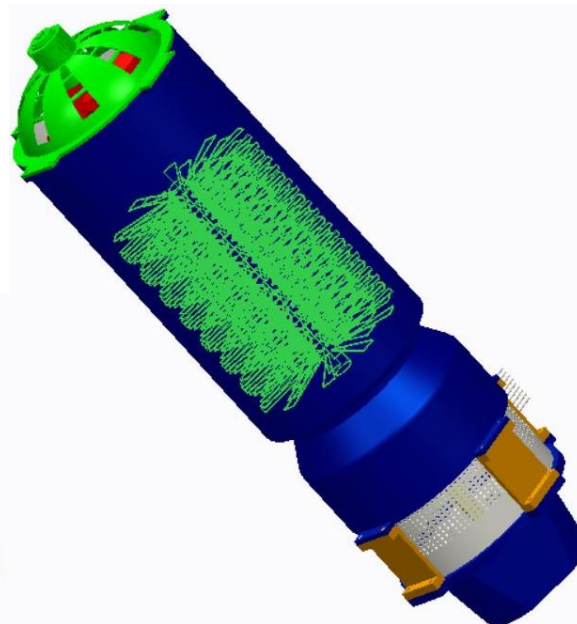
Part and Drawing



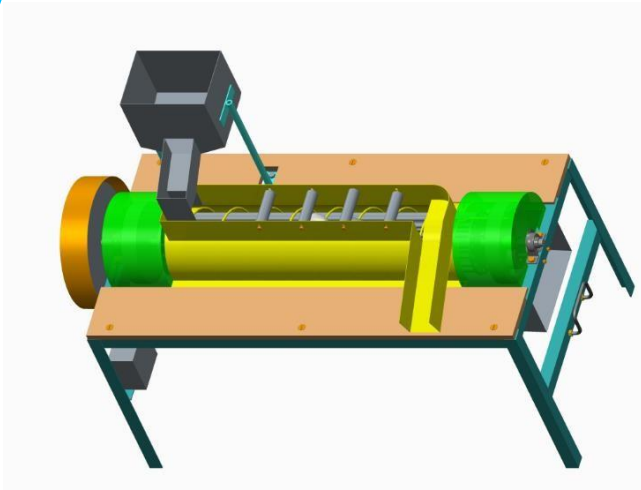
3D Skelton Model



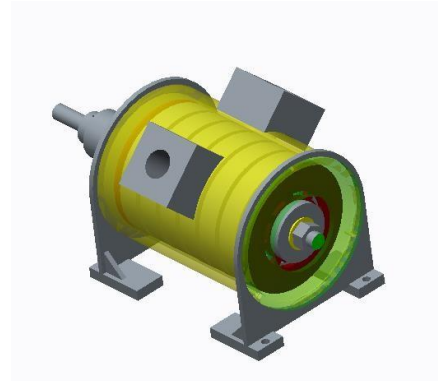
Part Model



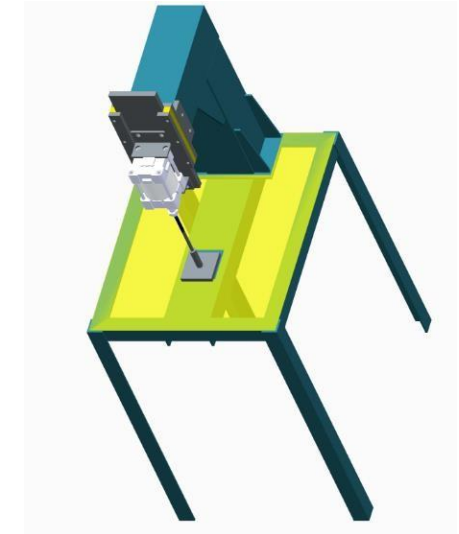
Industrial Projects



Special purpose food processing machine



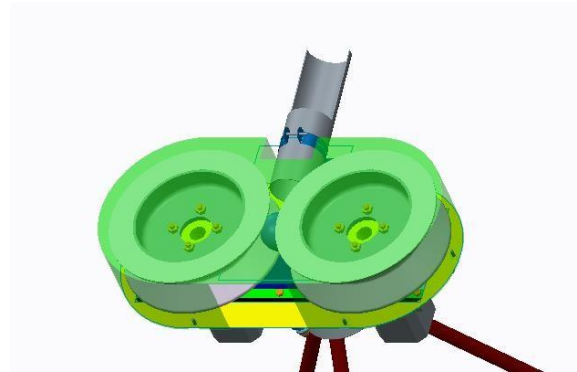
TESLA Turbine (miniature)



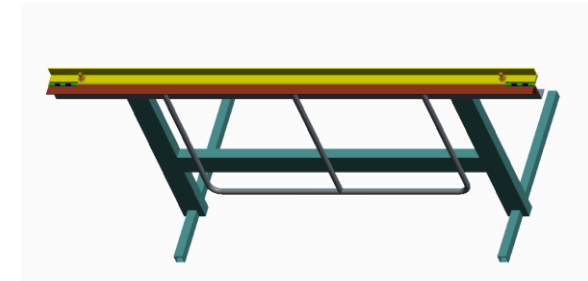
Clinching press



Oil press testing



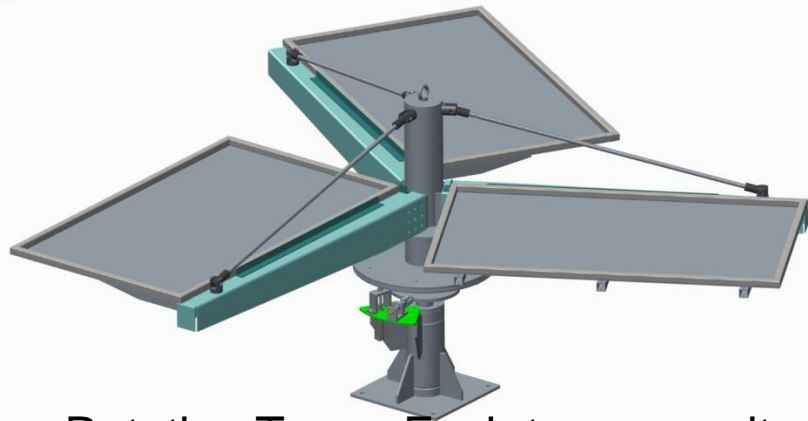
Ball throwing machine



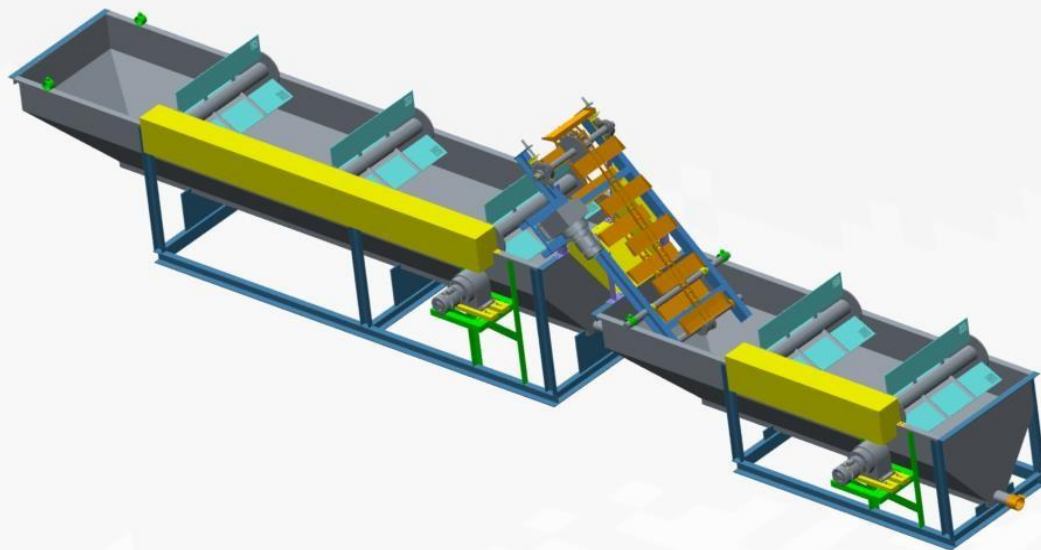
Bending fixture



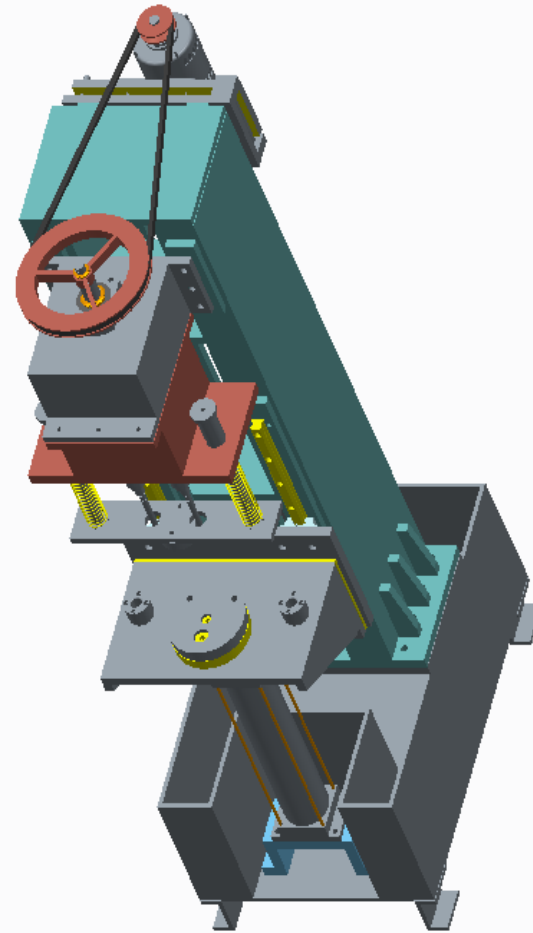
Industrial Projects



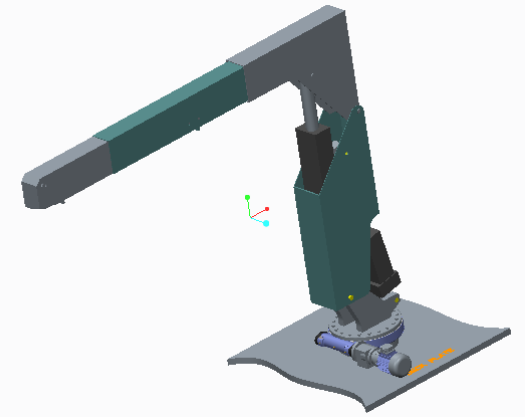
Rotating Tray – Each tray capacity 500kg



Floating tank – Recycling plastic washing



Double drill machine

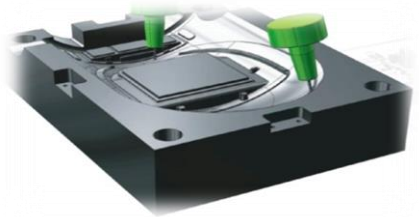


Foldable cranes

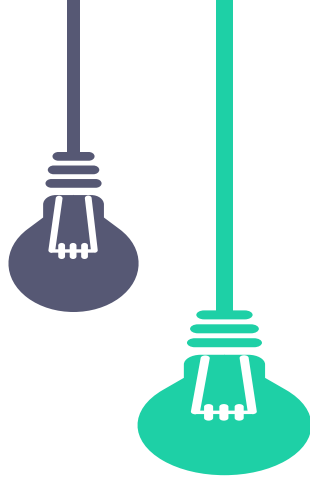
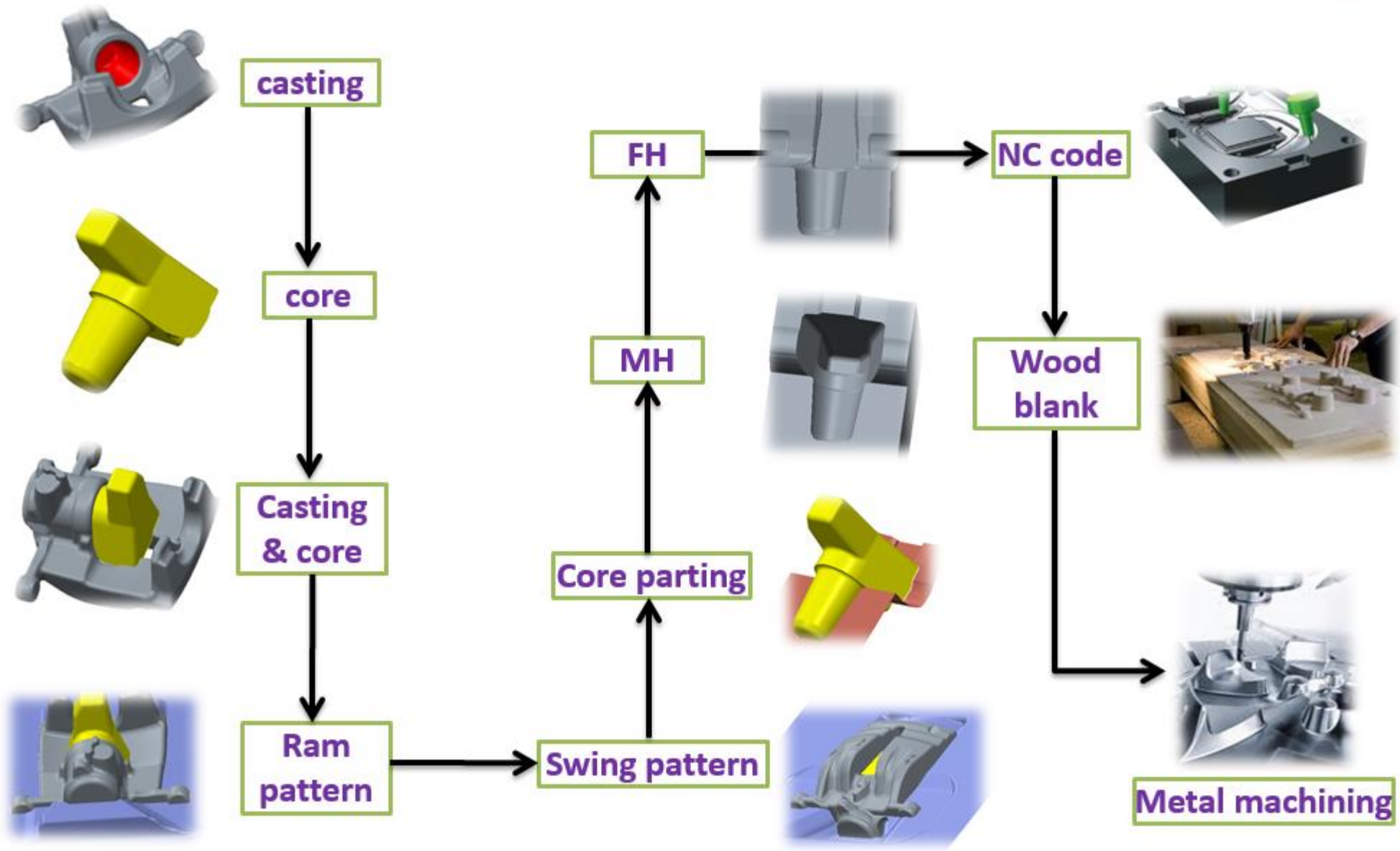


Foundry Tooling Design Service

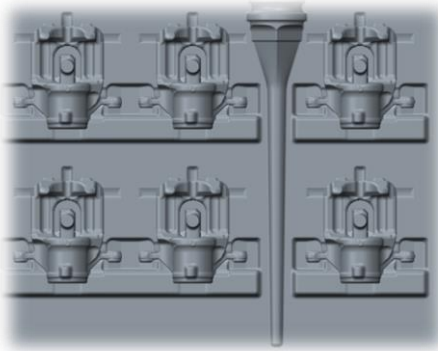
- We design core with cost saving
- We design tooling with minimum parting line fins
- Pattern & core box tooling design and development
- Tool manufacturing process
 - Pattern plates
 - Core boxes
 - Core masks
 - Trimming tools
 - Inspection fixtures & gauges
 - Casting checking gauges



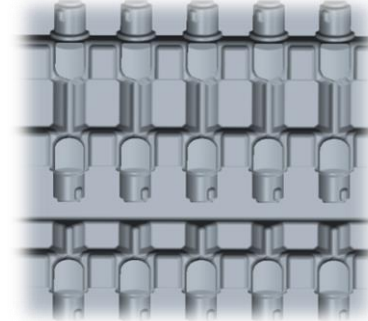
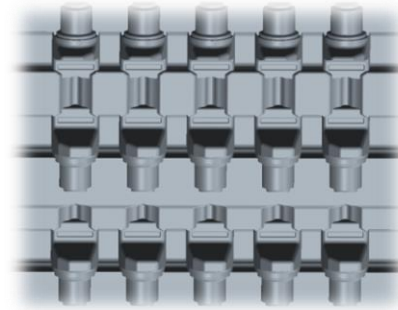
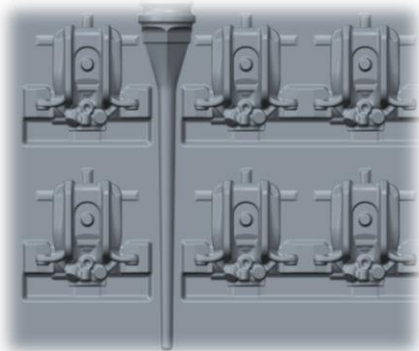
Foundry Tooling Design Service



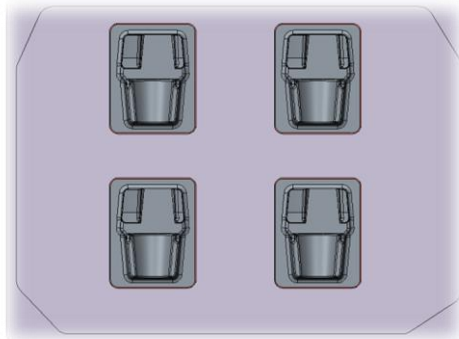
Foundry Tooling Design Service



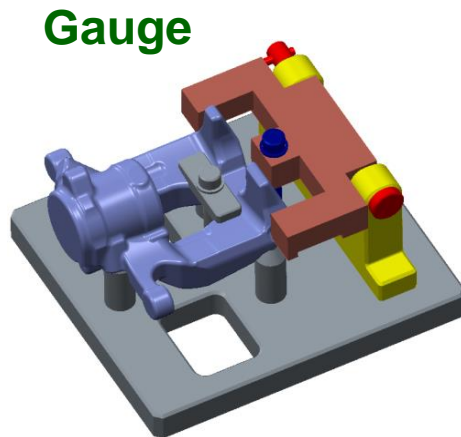
Pattern plates



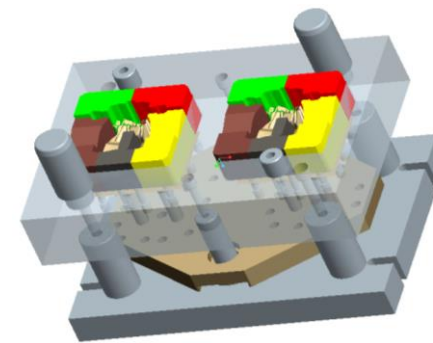
Cold / Shell Core box



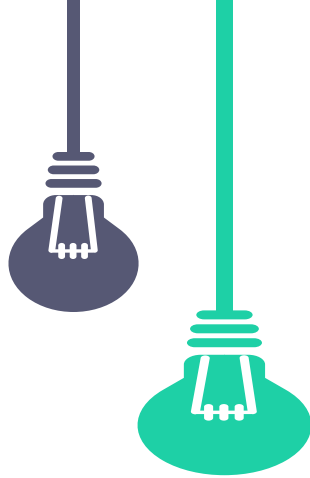
Core mask - Core holder and frame

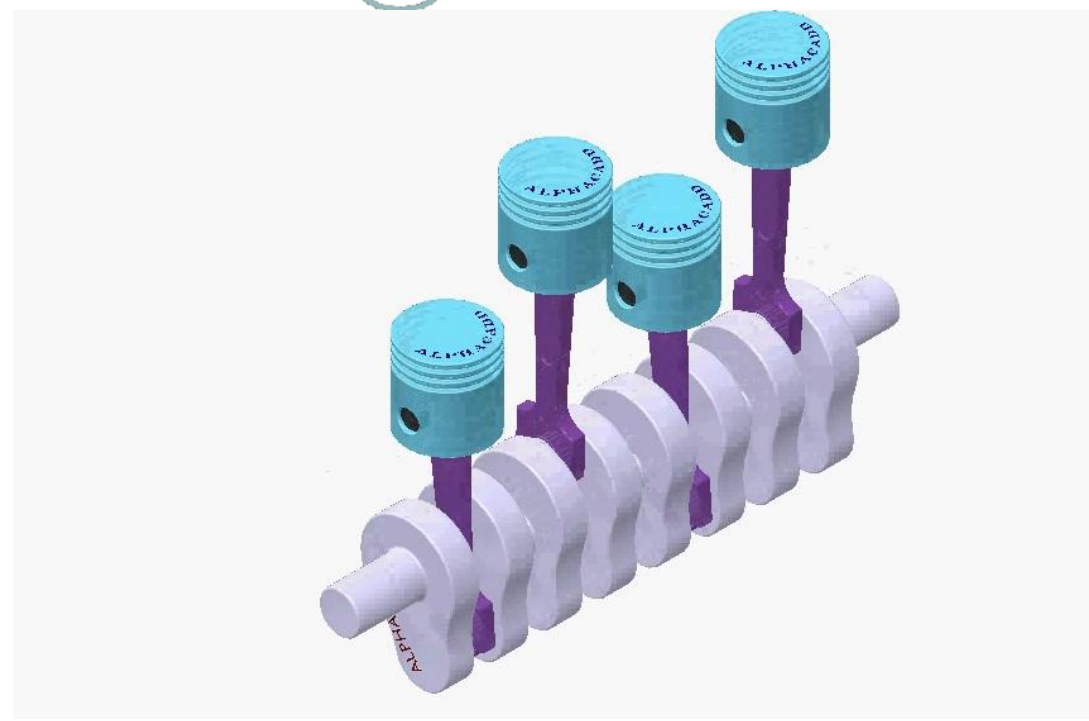
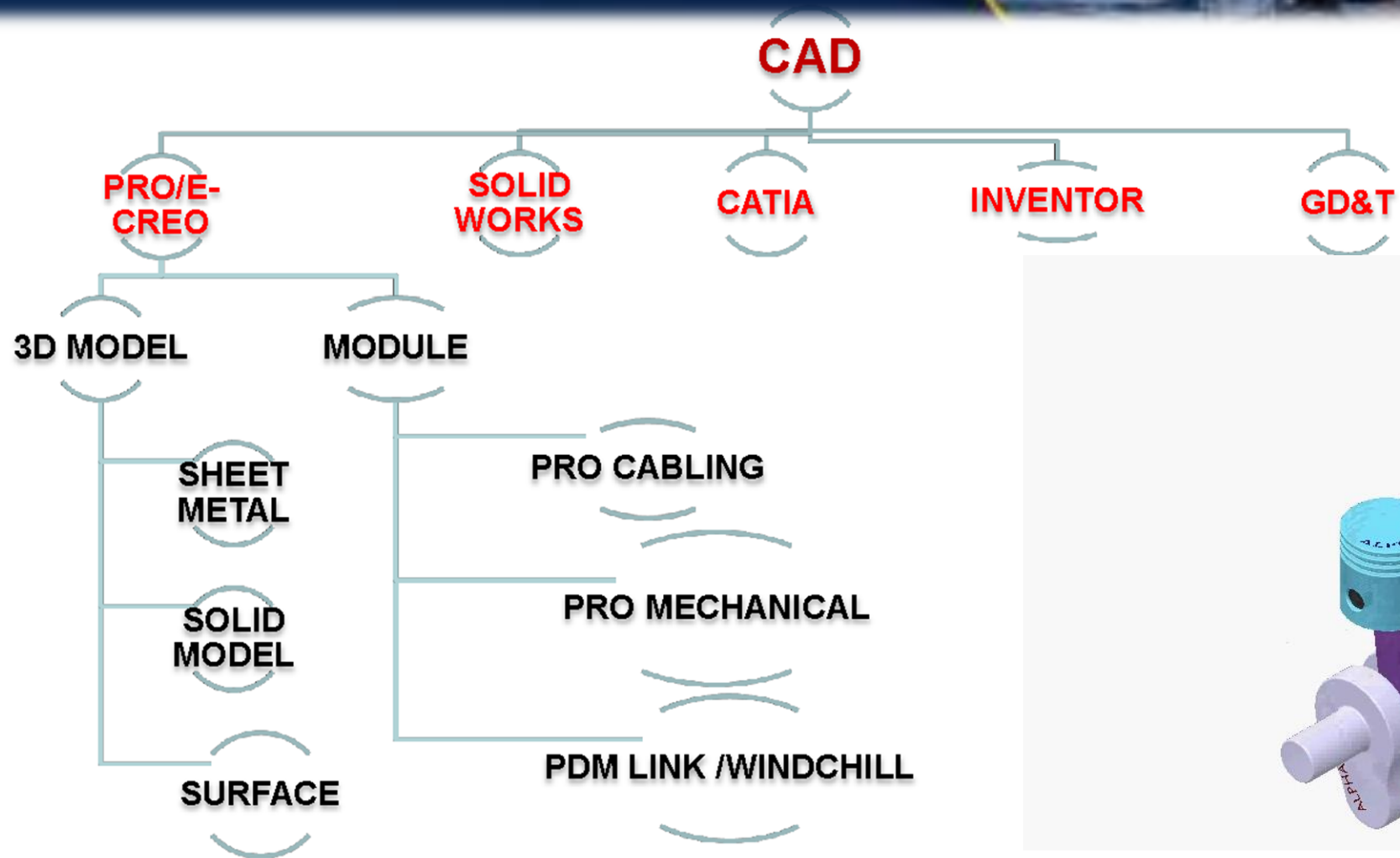


Gauge

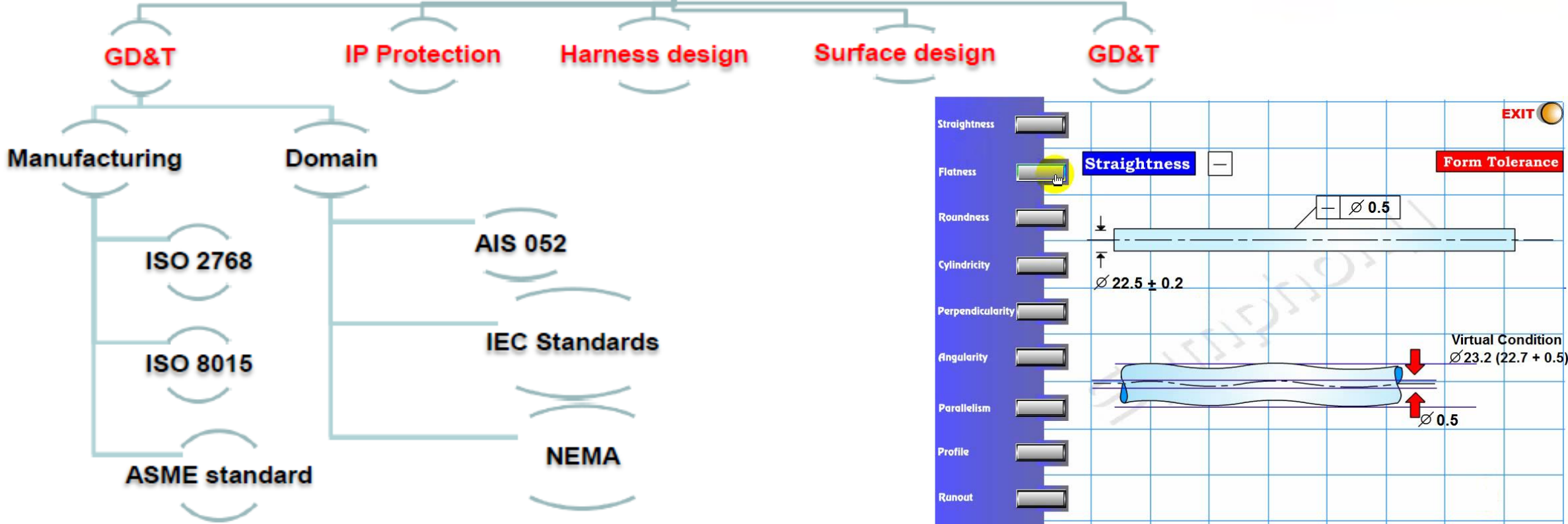


Trimming tool





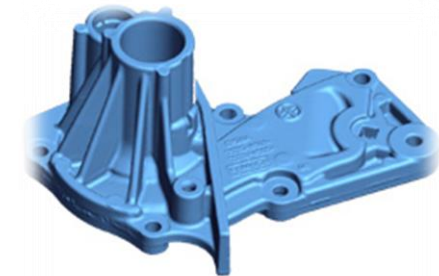
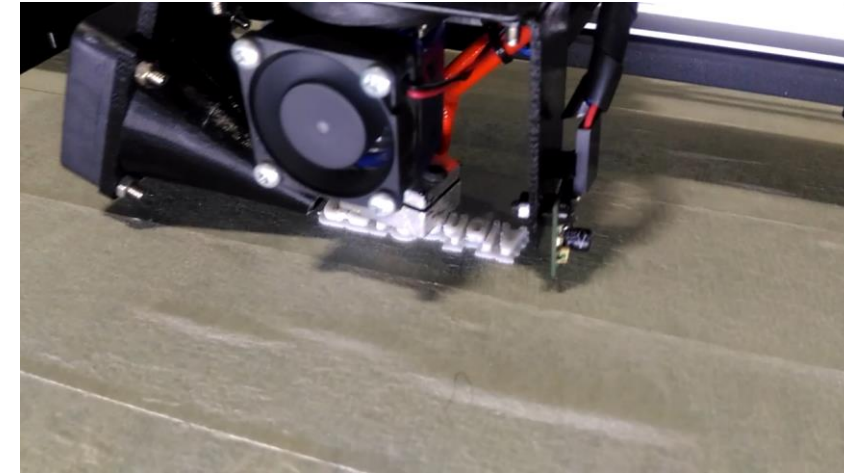
Design Engineering



Quality check list is used 100% before submitting the deliverables

Reverse Engineering

- 3D Scanning
 - White light Scanning
 - Laser light scanning
 - (Precision : 100-50 micron and 50-20 micron)
- 3D CAD model and 2D detail drawing
- Industrial design to enhance product aesthetics
- Mechanism video creation in CAD to Show functionality of product
- Analysis - structural, thermal and flow rate
- Tool design for plastics parts



Happy Clients...



Bringing you excellence since 1981

Happy Clients...

TAFE



MET-INDIA
EXCELLENCE IN ENGINEERING SOLUTIONS & SERVICES

RED NETWORKS
RED NETWORKS TELECOM PVT LTD

dotSolved

enventure

D-CUBE
DESIGNS

ZUTI



NELCAST
LIMITED



DreamsPlusTM
India | Singapore

ZILOGIC
SYSTEMS

KALO

ENTRA MECHATRONICS

Happy Clients...

McML



Triumph 



A Store for Senior Citizens



**DESIGN E-
NOVATF**

NEBESKIE LABS PRIVATE LIMITED



A&M Engineering



To Contact



Dr.P.Arulanadam
Managing Director

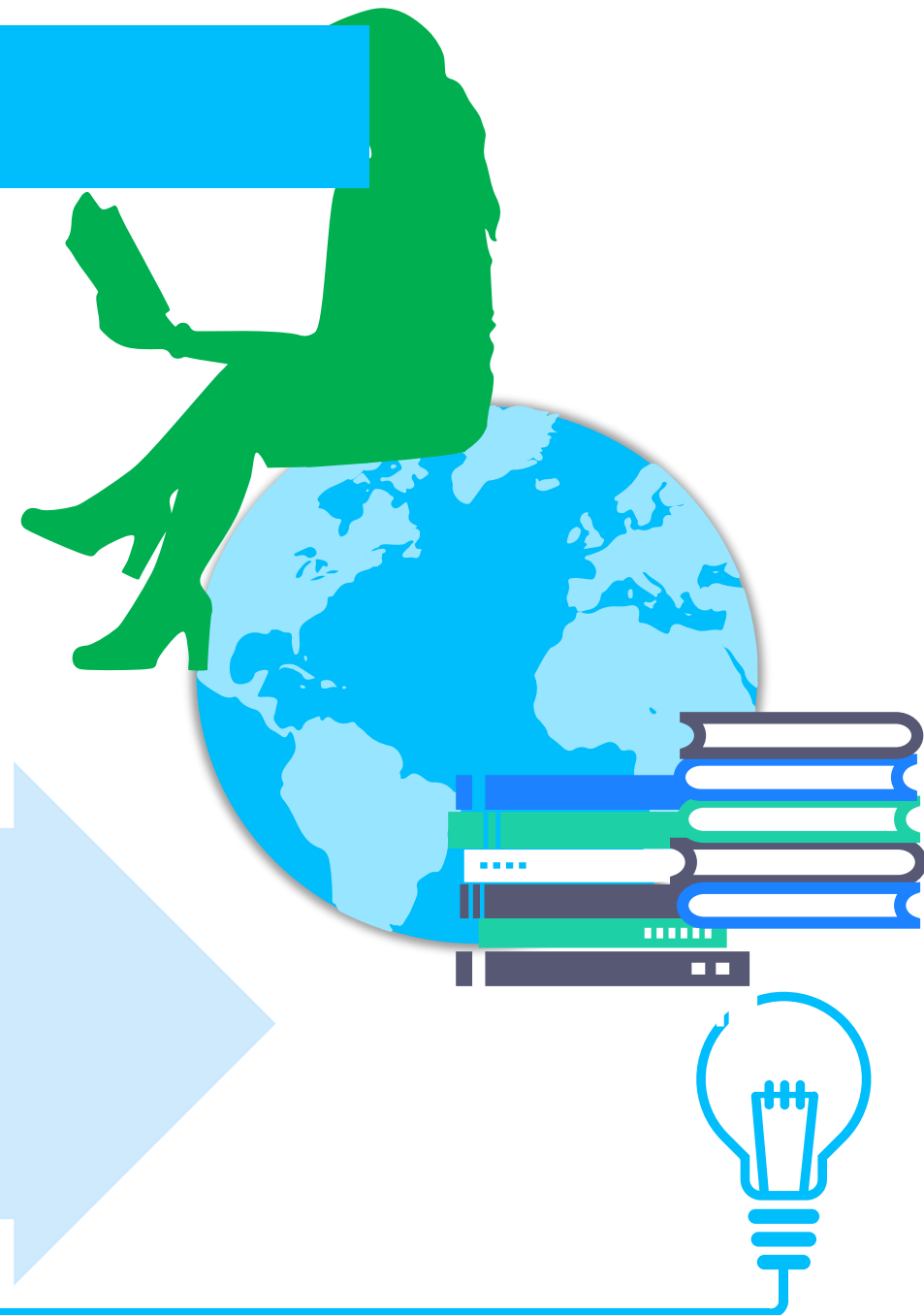
Email: algats.engineering@gmail.com

Mobile: +91 93826 11155
+91 9944619787

Website: www.algats.com

Chennai
Corporate Office

- # 1, Ramasamy Street,
- 1st Floor,
- Beteson's Complex,
- West Tambaram,
- Chennai: 600 045





Thank You

